

R4-20 Rotary Latch

Medium · Concealed · Single and two stage · Direct actuation

Features

- Single or multi-point latch capability
- Compatible with wide array of actuators
- Hand actuation option
- EN 45545-3 E60 compliant

Material

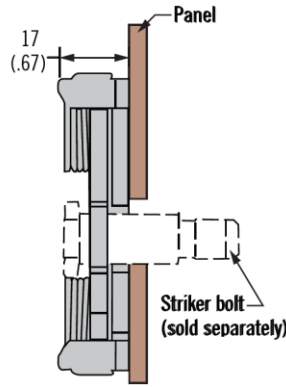
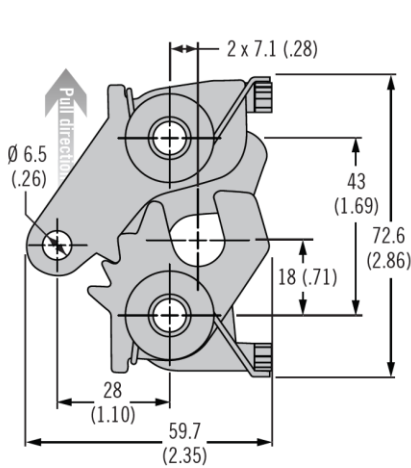
- Steel, zinc plated, or stainless steel 304, passivated

Accessories

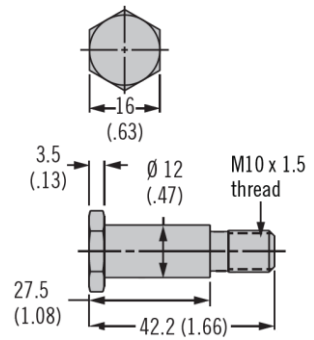
- Cables and retainer clips (sold separately)



Remote Actuation (left hand, two stage version shown)

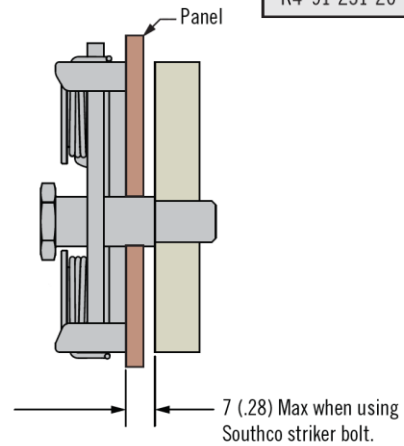
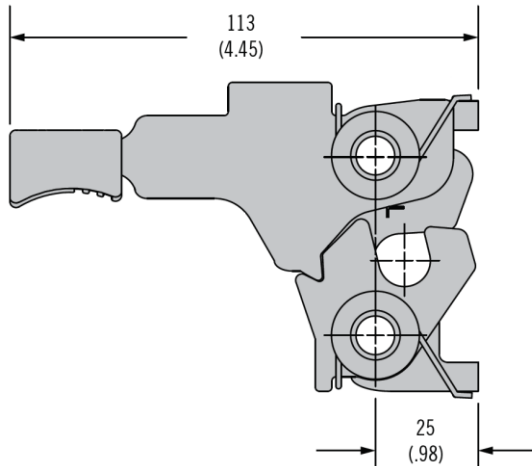


Striker Bolt (sold separately)



Striker Bolt Part Numbers	
Part Number	Material
R4-91-231-10	Steel
R4-91-231-20	Stainless Steel

Hand Actuation (left hand, single stage version shown)



S Stage & Actuation

- 1 Single stage, right hand
- 2 Single stage, left hand
- 3 Two stage, right hand
- 4 Two stage, left hand

I Mounting Style

- 0 Ø 8.3 (.327) thru
- 1 5/16-18 thread
- 2 M8 x 1.25 thread

R4 - 20 - S I - L 01 - M

- ### M Material
- 10 Steel
 - 20 Stainless steel

L Lever Type

- 4 Hand actuation (steel only)
- 5 Bottom